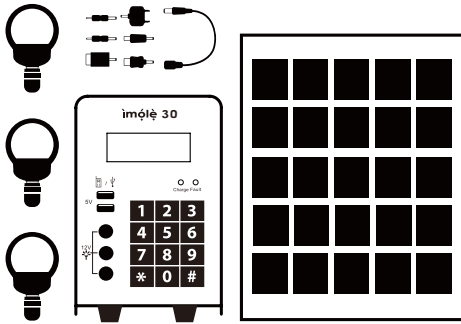


# Using Your BRONE Ìmọlẹ̀ 30

BRONE Ìmọlẹ̀ 30 is a solar system that gives you light, fan cooling when used with mini-fan and cell phone charging for your home. It is a prepay system that you can activate by buying a code online or from an authorised distributor in your community. You can buy codes for a day, a week, a month or a year. You can also buy codes from your mobile phone on MTN/Glo/Airtel networks.

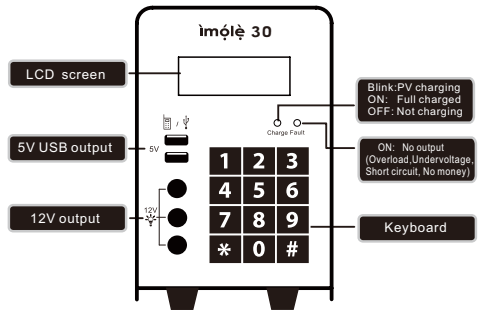
## Get to know your BRONE Ìmọlẹ̀ 30

Ensure that the solar panel, LED bulbs, USB phone charger and other DC electronic appliances are correctly connected to the Ìmọlẹ̀ 30. There are pictures and labels on the Ìmọlẹ̀ 30 to show you where each item goes.



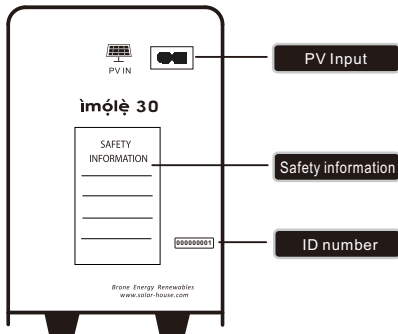
## Get to know your BRONE Ìmọlẹ̀ 30

Check the front of the Ìmọlẹ̀ 30 to make sure that you understand what each switch and light does. Your LED bulbs, USB phone charger and other DC appliances connect here as shown below.



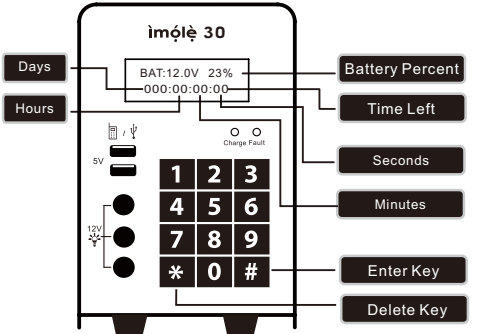
## Get to know your BRONE Ìmọlẹ̀ 30

The solar panel is connected to the back of the Ìmọlẹ̀ 30. And you will find an ID number. Remember this number.



## Get to know your BRONE Ìmọlẹ̀ 30

On the Ìmọlẹ̀ 30 you will find a keyboard and screen. Please enter the ID number and ID code to use the system. You will see the battery voltage, capacity and remaining time.



## Buy a BRONE Ìmọlẹ̀ 30 code

To use the system to power your house, you must buy a code from an authorised agent in your neighborhood, on line or from your mobile phone.

1. Visit the agent, log in online or dial the number on your registration card.
2. Give him or her your ID number.
3. Buy the code for a day, a month or a year.
4. Take the code home.

## Next, follow these easy steps:

### Enter your code

If you make a mistake, delete it by pressing the star \* key.

**INPUT ID:**  
**123456789**

|   |   |   |
|---|---|---|
| 1 | 2 | 3 |
| 4 | 5 | 6 |
| 7 | 8 | 9 |
| * | 0 | # |

### Activate your code

When you finish typing, press the enter # key .

**INPUT CODE:**  
**960322258458**

|   |   |   |
|---|---|---|
| 1 | 2 | 3 |
| 4 | 5 | 6 |
| 7 | 8 | 9 |
| * | 0 | # |

### The system is now ready to use!

The screen shows the battery voltage, battery power percent and how much time you have bought. This time will count down until it is all gone.

**BAT:12.0V 23%**  
**000: 24 : 00 : 00**

|   |   |   |
|---|---|---|
| 1 | 2 | 3 |
| 4 | 5 | 6 |
| 7 | 8 | 9 |
| * | 0 | # |

Pressing \*#\* to check your ID number and how many times you have charged before.

**ID:123456789**  
**PAID NUMBER:00002**

|   |   |   |
|---|---|---|
| 1 | 2 | 3 |
| 4 | 5 | 6 |
| 7 | 8 | 9 |
| * | 0 | # |

### Buy another code!

It's time to buy a new code as you don't have any time left.

**MONEY IS OVER**  
**000: 00 : 00 : 00**

|   |   |   |
|---|---|---|
| 1 | 2 | 3 |
| 4 | 5 | 6 |
| 7 | 8 | 9 |
| * | 0 | # |




Visit your nearest shop.  
and buy a new code today!

### Maintenance and repairs

Follow these steps to get the most energy possible from your system.

1. Clean your panel with a damp cloth each month.
2. Take care to gently turn your lights on and off.
3. Keep your system away from water, dirt, Children and animals.
4. We offer a service with a lifetime, maintenance, service and parts guarantee.

 \*NO USER SERVICEABLE PARTS INSIDE. DO NOT OPEN OR ATTEMPT TO OPEN YOUR IMOLE. THIS WILL LOCK YOUR IMOLE AND RENDER YOUR IMOLE WARRANTY VOID. YOU WILL NO LONGER BE ABLE TO USE YOUR IMOLE UNTIL YOU PAY FOR DAMAGES/REPAIRS\*

If the system malfunctions, please call the Customer Service.  
*Customer Service No:*

0814 600 5000  
0814 700 9000



**Brone Energy Renewables**  
[www.solar-house.com](http://www.solar-house.com)